

"Debugging GStreamer pipelines"

*René Stadler (Collabora)*

```
GST_DEBUG=2
```

```
GST_DEBUG=mkvdemux:5
```

```
GST_DEBUG=*pulse*:5,*sink*:5,*ring*:5
```

```
GST_DEBUG_NO_COLOR=1
```

0.10

1.0

-----

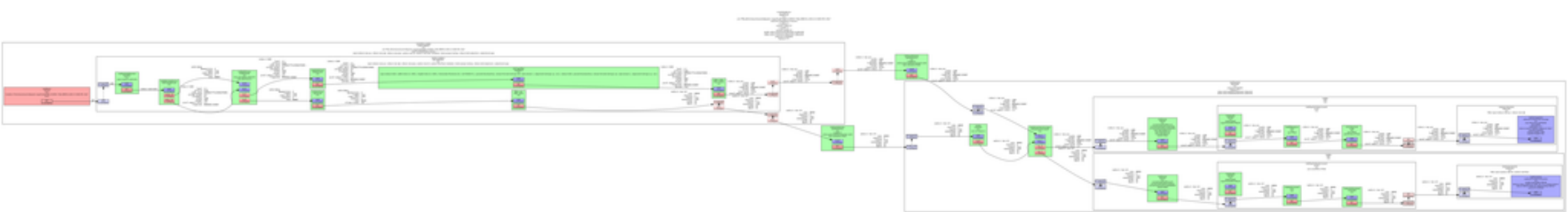
1:	ERROR	ERROR
2:	WARNING	WARNING
3:	INFO	FIXME
4:	DEBUG	INFO
5:	LOG	DEBUG
6:	FIXME	LOG
7:	TRACE	TRACE

```
GST_DEBUG_OBJECT (element,  
    "something happened with buffer %" GST_PTR_FORMAT,  
    mybuffer);  
  
GST_DEBUG ("message: %s", the_message);
```

```
GST_DEBUG_BIN_TO_DOT_FILE (GST_BIN (pipeline),  
    GST_DEBUG_GRAPH_SHOW_ALL, "mypipeline");
```

```
GST_DEBUG_DUMP_DOT_DIR=$PWD
```

```
dot -Tpng mypipeline.dot -o mypipeline.png
```



(demos shown here)

[http://cgit.freedesktop.org/  
~cymacs/gst-debug-viewer/](http://cgit.freedesktop.org/~cymacs/gst-debug-viewer/)

**Coming soon:**

[http://cgit.freedesktop.org/  
gstreamer/gst-devtools/](http://cgit.freedesktop.org/gstreamer/gst-devtools/)